

Corden EPS Pre-formed Cloaks are offered to produce a professional gas resistant solution to awkward corners and protuberances.

Corden EPS Pre-formed Cloaks facilitate installation of gas protection systems where corner details and pipe penetrations are present for NHBC “amber 1” situations.

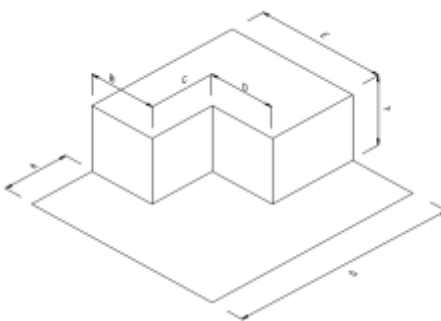
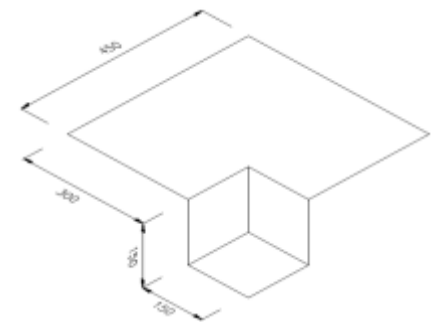
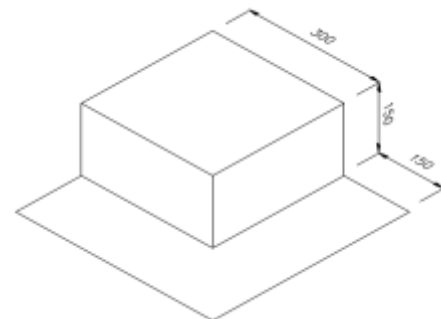
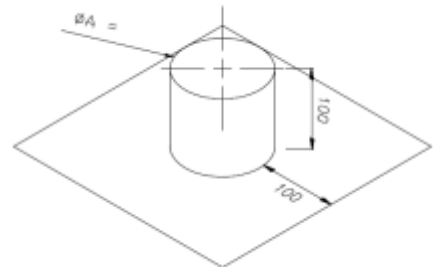
Product Features

- Time saving installation
- Full system integrity and compliance
- Full mortar bed maintained (no multiple layers)
- Clear partition Robust Detail wall cavity maintained
- No thermal instability issues
- Variable depths for bespoke floor construction
- Clear break between ground worker and brickworks package
- Penetrations fully sealed against gas & water



Corden EPS Can Offer

- Design solutions offering the most cost effective system to comply with current legislation.
- Independent Integrity testing (site based)
- Independent Verification reports (site based)
- Bespoke systems to overcome difficult situations
- Supply and install service with on-site fabrication/welding
- Next-day Delivery



Bespoke fabrications can be produced upon request